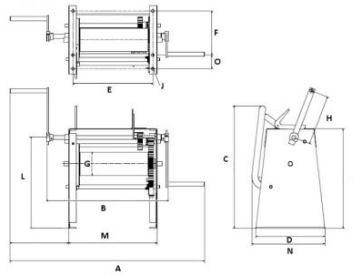


## 659 winch, capacity 10 t



Pulling crab winch, gear type 10000 kg.

Use:

- Pulling/Hauling operations only
- Anchorage of barges for river sailing
- Anchorage and movement of barges, boats...
- Doors manoeuvring
- Pulling work requiring long lengths of rope
- Pulling/hauling of vehicles, wagons, vessels...

### Technical properties

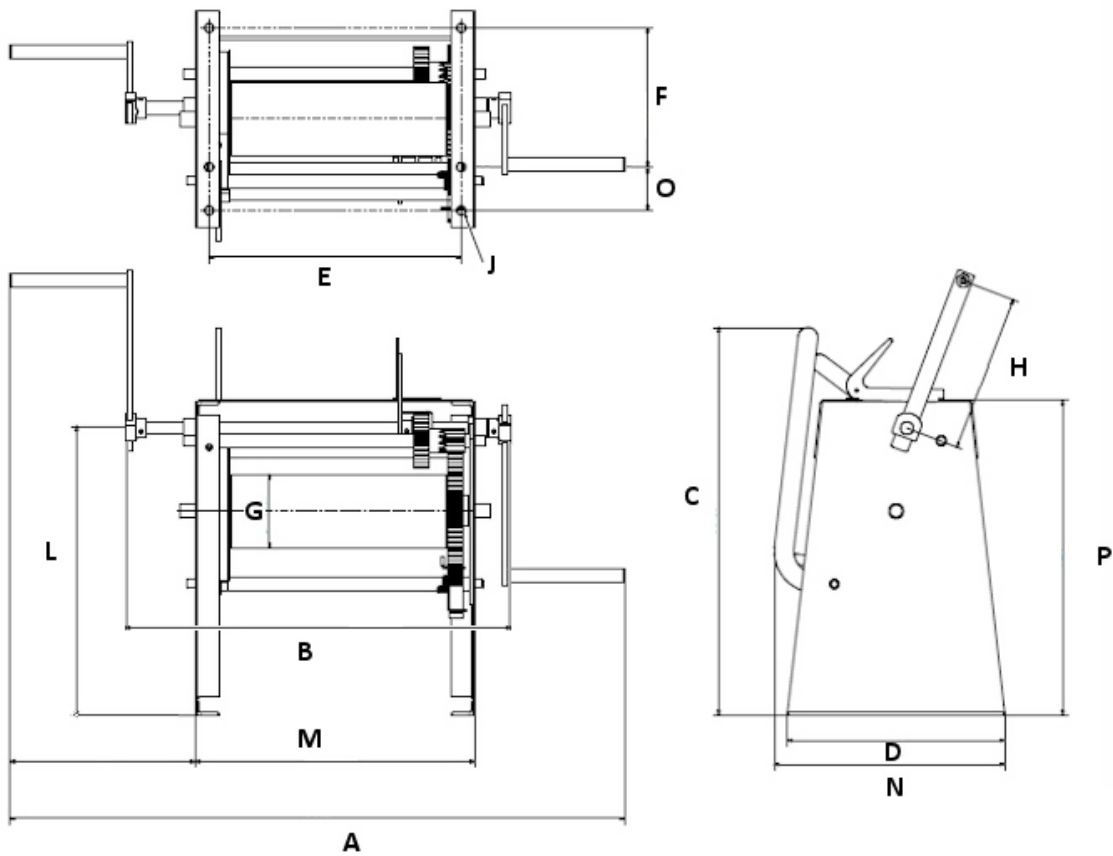
- Steel chassis and drum.
- Rugged and tested mechanical construction.
- Straight cut gearing, high tensile steel.
- Manual band brake (lever or wheel).
- Two speeds.
- Large rope capacities.
- Standard crank handle.
- Options: manoeuvring hand wheel and marine painting, consult us.

### Technical characteristics of 659 winch, capacity 10 t

References	65910000
Capacity 1st layer kg	Consult us.
Capacity top layer kg	Consult us.
Nb of layers	Consult us.
Wire rope cap. 1st layer m	Consult us.
Wire rope cap. top layer m	Consult us.
Travel/crank revolution mm	Consult us.
Wire rope Ø mm	Consult us.
Weight (without wire rope) kg	Consult us.

## Dimensions

References	65910000
A mm	2920
B mm	1845
E mm	1565
F mm	600
G mm	355
H mm	406
J mm	20,5
L mm	882
M mm	1665
N mm	-
O mm	250
P mm	1000



## Technical characteristics of the other models of the range

References	659600	6591500	6592000	6593000	6595000
Capacity 1st layer kg	900	2000	2900	4100	7500
Capacity top layer kg	600	1500	2000	3000	5000
Nb of layers	8	4	5	4	5
Wire rope cap. 1st layer m	32	23	25	27	33
Wire rope cap. top layer m	346	112	169	138	223
Travel/crank revolution mm	88.5	90	78	88	44
Wire rope Ø mm	5	8	10	11.5	16
Weight (without wire rope) kg	70	85	110	170	360

References	6597500	65910000
Capacity 1st layer kg	11000	Consult us.
Capacity top layer kg	7500	Consult us.
Nb of layers	6	Consult us.
Wire rope cap. 1st layer m	50	Consult us.
Wire rope cap. top layer m	403	Consult us.
Travel/crank revolution mm	40	Consult us.
Wire rope Ø mm	18	Consult us.
Weight (without wire rope) kg	550	Consult us.



### HUCHEZ's advice

Robust due to rugged and tested mechanical construction, large rope capacities.



HUCHEZ  
9, Grande Rue  
60420 FERRIERES – France  
☎ +33 (0) 3 44 51 11 33  
Site internet : [www.huchez.com](http://www.huchez.com)  
E-mail : [contact@huchez.fr](mailto:contact@huchez.fr)



SERVICE  
CLIENTS

Pour en savoir plus, n'hésitez pas à nous contacter !  
*To know more, please contact us!*