

■ MCM-4000

The 3 in one machine

- measurement
- cutting/bevelling
- welding

5-AXIS PORTABLE CNC 3D CUTTING/BEVELING AND WELDING MACHINES TO ONSHORE AND OFFSHORE WIND TOWERS APPLICATIONS!

Promotech MCM machines are true portable CNC cutting and welding machines already proven with several Customers in Wind Business, including multiple successful installations!

It's also the best solution for door frame welding to **Tall Steel Wind Towers for Multi-Megawatt Turbines** (welding door frames at plate thickness up to #65 mm and more on request).

It is a unique option for unblocking bottleneck with **door frame measurement, bevelling and welding.**

■ MCM machines as standard are available in the configuration:

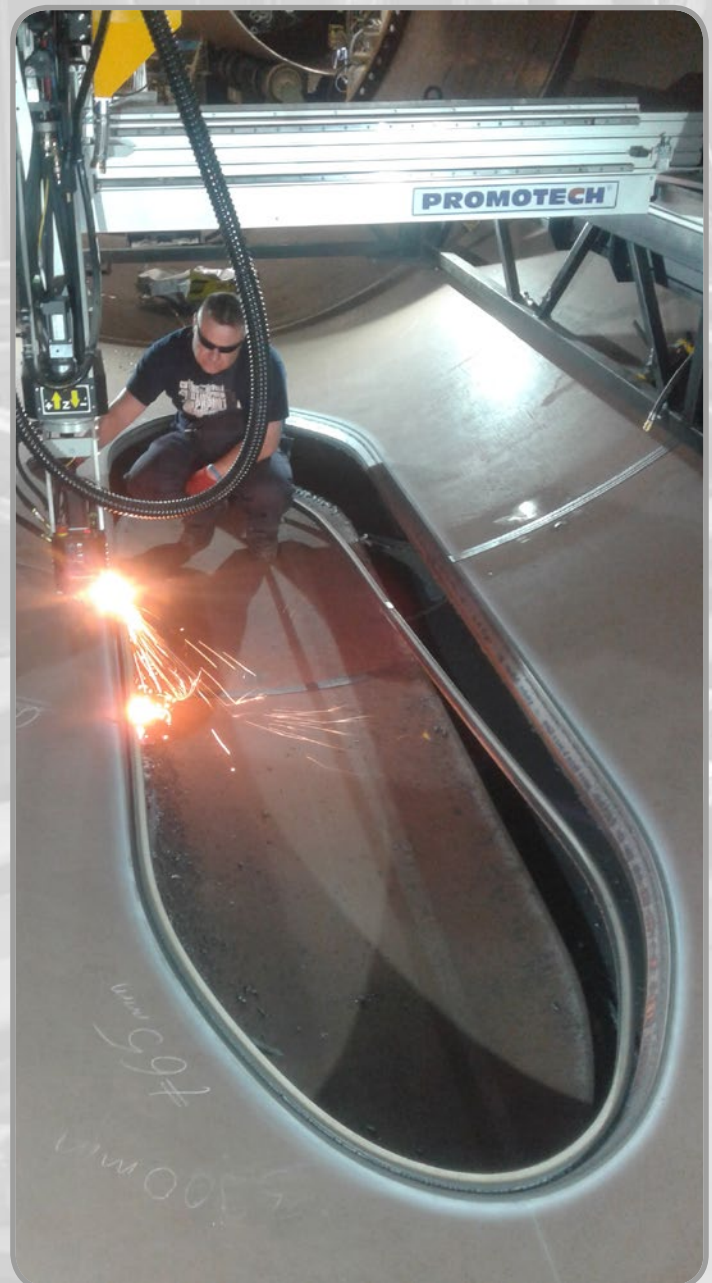
- MCM Oxy-straight cutting/beveling, for single or double sided bevel
- MCM SAW ACDC welding (recommended)

■ Options:

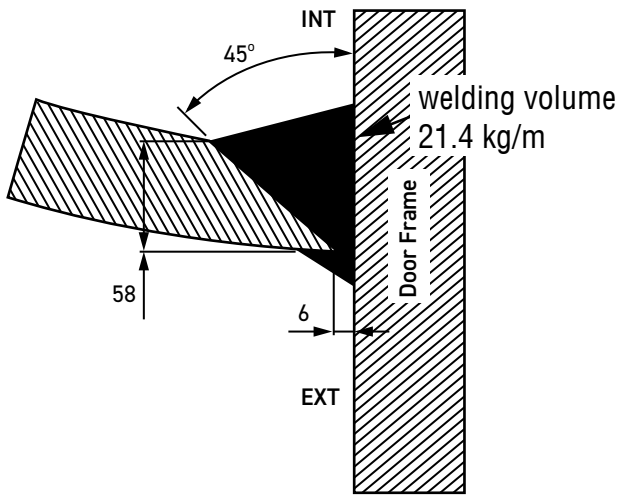
- MIG-MAG / FCAW-G / MCAW (available upon Customer request only)

■ Features&Benefits:

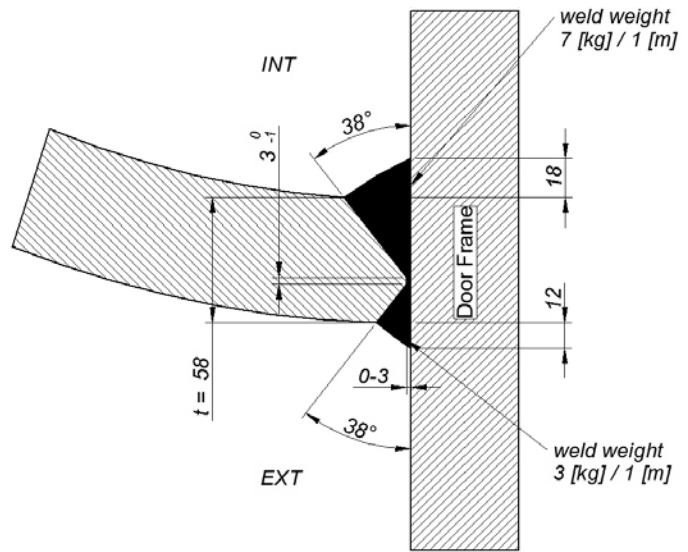
- Each workpiece (e.g. door frame) can be scanned to obtain individual cutting/welding CNC path
- No joint tracking system required
- Fast and easy positioning and handling
- Cutting, beveling and welding processes are performed in automated and semi-automated cycles
- High quality SAW welds, welding defect rate much less than 1%
- No grinding of finished SAW welding seams
- Wi-Fi monitoring / On-line service connection (on-request)
- One-man operation
- No CNC programming required



5 AXIS PORTABLE CNC MCM 4000 S / MCM 4000 W ONSHORE WIND TOWERS APPLICATIONS (DOOR FRAME WELDING/VENTILLATION OPENINGS)

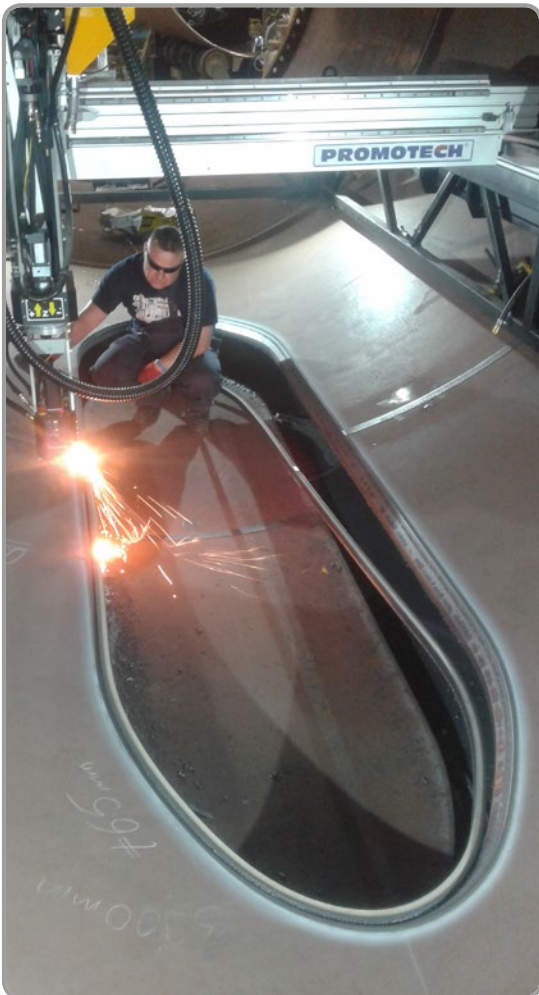


Costly manual cutting/welding/grinding process (handmade).



MCM SAW welding joint design: double bevel 2/3 inside; 1/3 outside

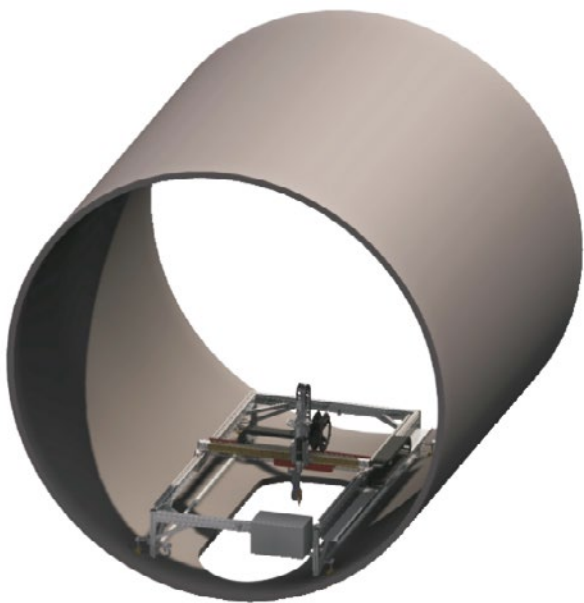
AUTOMATIC MCM OXY-CUTTING / BEVELING



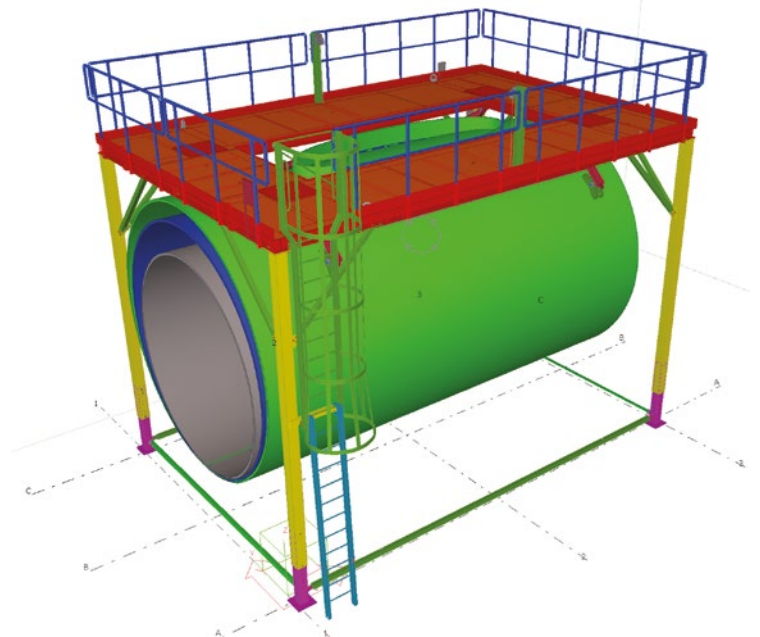
Semi-automatic MCM SAW ACDC WELDING



Standard MCM work-station setup



• internal

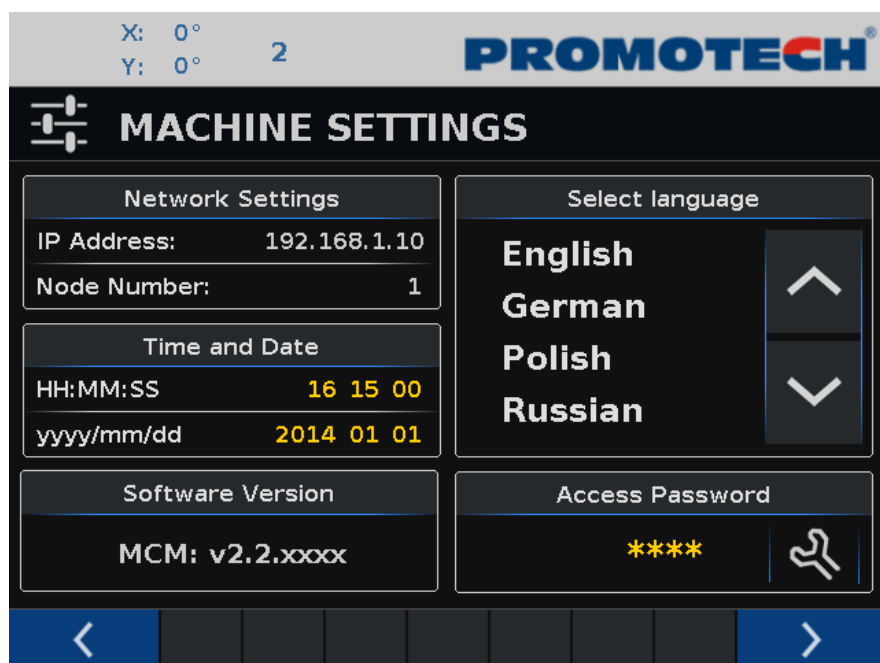


• external

Standard technical data to MCM Onshore and Offshore applications

MCM	Tower section ID	Max. door frame width/length
4000 S	Min. 3.5 m	Up to 1.22 x 4.0 m
4000 W	Min. 4.0 m	Up to 1.25 x 4.0 m
5000 + / Offshore	Min. 4.9 m	Up to 1.6 x 5.1 m
Max. plate thickness		Up to #120 mm and more on request
Welding deposition rate		Up to 12 kg/hour at 100% duty cycle SAW AC/DC 4.00mm

MCM machines are available with an on-line connection software (service connection on-request)



Built-in network router enables remote access to machine interface (VNC Network)



Compatible with mobile and desktop devices



WIFI and cable connections



On-request software updates and machine diagnostics



American Welding Society
Supporting Company Member

Mitglied im
DVS
DVS – Deutscher Verband für Schweißen
und verwandte Verfahren e.V.



PROMOTECH Sp. z o.o.
ul. Elewatorska 23/1, 15-620 BIAŁYSTOK, POLAND
tel. (+48 85) 678 34 05, fax (+48 85) 662 78 77
marketing@promotech.eu www.promotech.eu

Your local dealer:

