

PRO 36 | Compact drilling machine



■ The most compact machine designed by Promotech, and one of the smallest units in the world. Superior features of PRO36 include:

- ultra light weight
- gear box and slide system made of one piece
- purpose designed motor with heavy duty gear box
- maintenance friendly design
- maintenance free rail guide system

PRO 36 is equipped with the latest generation of electromagnetic energy saving base (ESB) with magnetic field shape control system (MFSC) and magnetic power adhesion control module (MPAC), which detects adhesive force of electromagnetic base and protects both the machine and the operator from work on too thin workpiece. PRO 36 is also equipped with motor overload protection system.


Core drill
max 36 mm


Depth of cut
51 mm


Stroke
70 mm


Speed
350 rpm


Motor Power
920 W


Weight
10 kg



PRO 36 TECHNICAL SPECIFICATION

Motor Speed (under load)	350 rpm
Motor Power	920 W
Weight	10 kg
Max milling capacity	36 mm (1 7/16")
Max countersinking	Ø 40 mm (1 9/16")
Stroke	70 mm (2 3/4")
Max depth of cut	51 mm (2")
Voltage	115V/60Hz or 230V/50 Hz
Power consumption	1000 W
Overload protection	yes
MPAC	yes
MFSC	yes
ESB	yes
Magnetic clamping force	917 kG (9000 N) /25 mm, Ra=1.25/
Magnet Base Dimensions	80 x 161 x 36,5 [mm] 3-1/8 x 6-5/16 x 1-7/16 ["]
Min. Workpiece Thickness	6 mm (1/4")
Tool holder	19 mm (3/4") Weldon
Product Code 230V/50Hz	WRT-0440-10-20-00-0
Product Code 115V/60Hz	WRT-0440-10-10-00-0

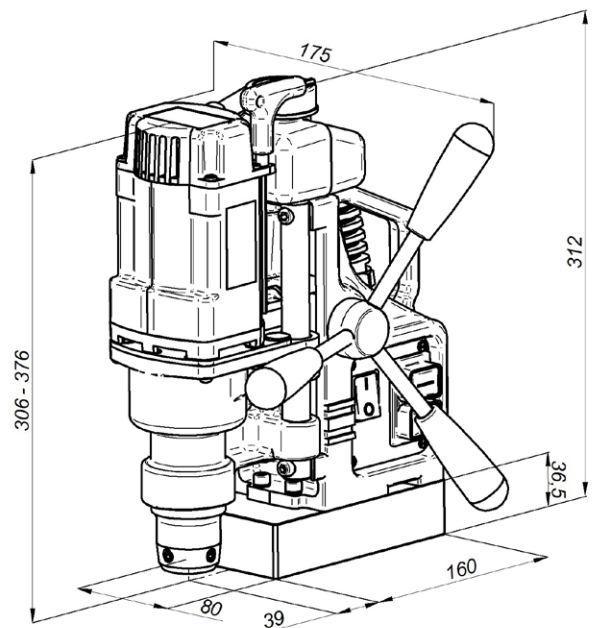


Standard shipping set:

- Magnetic Base Drilling Machine
- Metal Box
- Swarf Shield/Cutter Guard
- Coolant Bottle Assembly
- Safety Chain with Snap Hook
- Allen wrench hex s=4
- Operator's Manual (English)
- Standard shipping weight – 16,7 kg (36 lbs)

Selected additional accessories:

- PDS-0110-03-00-01-0 DMP0251 Pipe Attachment
- UKL-0440-16-00-00-0 Coolant System 2l
- PDS-0587-00-00-00-0 Vacuum pad
- ZSP-0587-11-00-00-0 Compressed air ejector



All information is subject to change without notice. 1705



PROMOTECH Sp. z o.o.
ul. Elewatorska 23/1, 15-620 BIAŁYSTOK, POLAND
tel. (+48 85) 678 34 05, fax (+48 85) 662 78 77
marketing@promotech.eu www.promotech.eu

Your local dealer:

