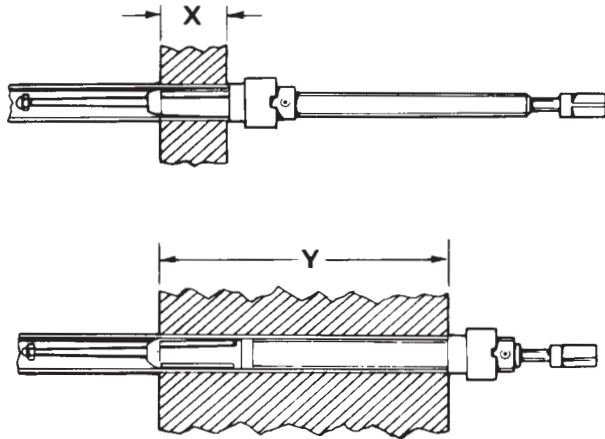


'C' Type 1300 Series

Self Feeding with Adjustable Bearing Housing and Long Reach



EXPANDER with 3/4" (19.05mm) long Rollers EXPANDER with 1 1/4" (31.75mm) long Rollers
 X = 3/4" (19.05mm) X = 1 1/4" (31.75mm)
 Y = 3" (76.20 mm) Y = 3 1/2" (88.90mm)



Manufactured to order or stocked by customer request.

TABLE RELATING

Tube O.D.	Tube Thickness		Min. I.D. Tube Tool Enters		Maximum Expansion of Tool		Size Sq. on Mandrel	EXPANDER with 3/4" (19.05mm) long Rollers			Expander with 1 1/4" (31.75mm) long Rollers				
								Complete Tool No.	Mandrel No.	Set of Rollers No.	Complete Tool No.	Mandrel No.	Set of Rollers No.		
ins	mm	g'ge	mm	ins	mm	ins	mm	ins	mm						
3/8	9.53	15	1.83	.230	5.84	.265	6.73	1/4	6.35				C1316	CM86A	CR1316
3/8	9.53	16	1.63	.240	6.10	.275	7.00	1/4	6.35				C1318	CM85A	CR908
3/8	9.53	17	1.42	.255	6.48	.289	7.34	1/4	6.35				C1320	CM87A	CR904
3/8	9.53	18	1.22	.272	6.91	.307	7.80	1/4	6.35	C1301	CM80A	CR903	C1302	CM80A	CR904
3/8	9.53	19	1.02	.286	7.26	.320	8.13	1/4	6.35	C1303	CM81A	CR903	C1304	CM81A	CR904
3/8	9.53	20	.91	.300	7.62	.334	8.48	1/4	6.35	C1305	CM82A	CR907	C1306	CM82A	CR908
3/8	9.53	21	.81	.306	7.77	.340	8.64	1/4	6.35	C1307	CM83A	CR907	C1308	CM83A	CR908
3/8	9.53	22	.71	.314	7.98	.349	8.86	1/4	6.35	C1309	CM84A	CR909	C1310	CM84A	CR910
3/8	9.53	23	.61	.320	8.13	.357	9.07	1/4	6.35	C1311	CM84A	CR911	C1312	CM84A	CR912
3/8	9.53	24	.56	.320	8.13	.357	9.07	1/4	6.35	C1311	CM84A	CR911	C1312	CM84A	CR912

NOTE – Mandrels supplied with square shank unless otherwise specially ordered

WICKSTEED ENGINEERING LIMITED

Hove Road, Rushden, Northamptonshire NN10 0JB • Tel: +44 (0)1933 318555 • Fax: +44 (0)1933 410103 • Email: mail@wicksteed.com
 www.wicksteed.com