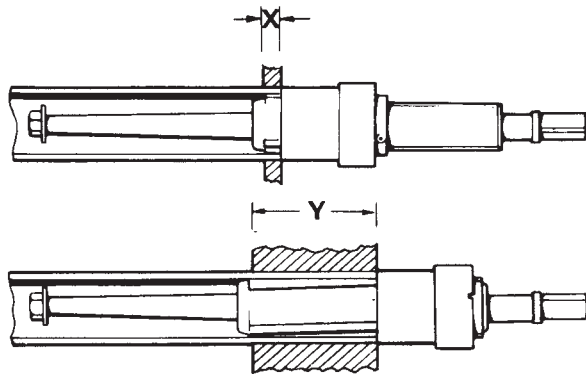


'C' Type 800 Series

Self-feeding with Adjustable Bearing Housing



EXPANDER with 1 1/2"
(38.10mm) long Rollers

X = 1/2" (12.70mm)
Y = 1 1/2" (38.10mm)

Effective parallel rolling
length 1 1/4" (31.75mm)

EXPANDER with 2 1/4"
(57.15mm) long Rollers

X = 1 1/4" (31.75mm)
Y = 2 1/4" (57.15mm)

Effective parallel rolling
length 2" (50.80mm)



Tube Expanders fitted with 5 rollers are available for expanding thin wall and titanium tubes. Please speak to our sales team for more information.

TABLE RELATING

| Tube O.D. | Tube Thickness | | Min. I.D. Tube Tool Enters | | Maximum Expansion of Tool | | ■ Size Sq. on Mandrel | EXPANDER with 1 1/2" (38.10mm) long Rollers | | | Expander with 2 1/4" (57.15mm) long Rollers | | | | |
|--------------|-------------------|------|----------------------------------|------|---------------------------------|------|--------------------------------|--|----------------|--------------------------|--|----------------|--------------------------|------|-------|
| | | | | | | | | Complete Tool No. | Mandrel No. | Set of Rollers No. | Complete Tool No. | Mandrel No. | Set of Rollers No. | | |
| ins | mm | g'ge | mm | ins | mm | ins | mm | ins | mm | | | | | | |
| 1/2 | 12.70 | 14 | 2.03 | .333 | 8.45 | .375 | 9.52 | 1/4 | 6.35 | C800S | CM800S | CR0 | | | |
| 1/2 | 12.70 | 15 | 1.83 | .344 | 8.74 | .394 | 10.00 | 1/4 | 6.35 | C800 | CM0 | CR0 | | | |
| 1/2 | 12.70 | 16 | 1.63 | .360 | 9.14 | .410 | 10.41 | 1/4 | 6.35 | C801 | CM1 | CR1 | | | |
| 1/2 | 12.70 | 17 | 1.42 | .374 | 9.53 | .424 | 10.77 | 1/4 | 6.35 | C803 | CM1 | CR2 | | | |
| 1/2 | 12.70 | 18 | 1.22 | .392 | 9.96 | .447 | 11.35 | 3/8 | 9.53 | C805 | CM2 | CR3 | | | |
| 1/2 | 12.70 | 20 | 0.88 | .410 | 10.41 | .465 | 11.81 | 3/8 | 9.53 | C805S | CM2 | CR4 | | | |
| 5/8 | 15.88 | 12 | 2.64 | .392 | 9.96 | .447 | 11.35 | 3/8 | 9.53 | C805 | CM2 | CR3 | | | |
| 5/8 | 15.88 | 13 | 2.34 | .425 | 10.80 | .480 | 12.19 | 3/8 | 9.53 | C807 | CM3 | CR4 | | | |
| 5/8 | 15.88 | 14 | 2.03 | .449 | 11.41 | .509 | 12.93 | 3/8 | 9.53 | C809 | CM4 | CR4 | C810 | CM4 | CR4A |
| 5/8 | 15.88 | 15 | 1.83 | .471 | 11.96 | .536 | 13.61 | 3/8 | 9.53 | C811 | CM5 | CR5 | C812 | CM5 | CR5A |
| 5/8 | 15.88 | 16 | 1.63 | .485 | 12.33 | .550 | 13.97 | 3/8 | 9.53 | C813 | CM5 | CR6 | C814 | CM5 | CR6A |
| 5/8 | 15.88 | 17 | 1.42 | .499 | 12.68 | .564 | 14.33 | 3/8 | 9.53 | C815 | CM6 | CR6 | C816 | CM6 | CR6A |
| 5/8 | 15.88 | 18 | 1.22 | .517 | 13.13 | .572 | 14.53 | 3/8 | 9.53 | C817 | CM5 | CR7 | C818 | CM5 | CR7A |
| 3/4 | 19.05 | 10 | 3.25 | .471 | 11.96 | .536 | 13.61 | 3/8 | 9.53 | C811 | CM5 | CR5 | C812 | CM5 | CR5A |
| 3/4 | 19.05 | 11 | 2.95 | .499 | 12.68 | .564 | 14.33 | 3/8 | 9.53 | C815 | CM6 | CR6 | C816 | CM6 | CR6A |
| 3/4 | 19.05 | 12 | 2.64 | .522 | 13.26 | .582 | 14.78 | 3/8 | 9.53 | C819 | CM6 | CR7 | C820 | CM6 | CR7A |
| 3/4 | 19.05 | 13 | 2.34 | .550 | 13.97 | .615 | 15.62 | 3/8 | 9.53 | C821 | CM8 | CR8 | C822 | CM8 | CR8A |
| 3/4 | 19.05 | 14 | 2.03 | .574 | 14.58 | .639 | 16.23 | 3/8 | 9.53 | C823 | CM8 | CR9 | C824 | CM8 | CR9A |
| 3/4 | 19.05 | 15 | 1.83 | .596 | 15.14 | .661 | 16.79 | 3/8 | 9.53 | C825 | CM8 | CR10 | C826 | CM8 | CR10A |
| 3/4 | 19.05 | 16 | 1.63 | .605 | 15.37 | .685 | 17.40 | 3/8 | 9.53 | C827 | CM9 | CR10 | C828 | CM9 | CR10A |
| 3/4 | 19.05 | 17 | 1.42 | .619 | 15.72 | .699 | 17.75 | 3/8 | 9.53 | C829 | CM9 | CR11 | C830 | CM9 | CR11A |
| 3/4 | 19.05 | 18 | 1.22 | .619 | 15.72 | .699 | 17.75 | 3/8 | 9.53 | C829 | CM9 | CR11 | C830 | CM9 | CR11A |
| 7/8 | 22.23 | 10 | 3.25 | .596 | 15.14 | .661 | 16.79 | 3/8 | 9.53 | C825 | CM8 | CR10 | C826 | CM8 | CR10A |
| 7/8 | 22.23 | 11 | 2.95 | .619 | 15.72 | .699 | 17.75 | 3/8 | 9.53 | C829 | CM9 | CR11 | C830 | CM9 | CR11A |
| 7/8 | 22.23 | 12 | 2.64 | .642 | 16.31 | .722 | 18.34 | 3/8 | 9.53 | C831 | CM9 | CR12 | C832 | CM9 | CR12A |
| 7/8 | 22.23 | 13 | 2.34 | .670 | 17.02 | .750 | 19.05 | 3/8 | 9.53 | C833 | CM10 | CR13 | C834 | CM10 | CR13A |

NOTE – Mandrels supplied with square shank unless otherwise specially ordered

WICKSTEED ENGINEERING LIMITED

Hove Road, Rushden, Northamptonshire NN10 0JB • Tel: +44 (0)1933 318555 • Fax: +44 (0)1933 410103 • Email: mail@wicksteed.com
www.wicksteed.com

'C' Type 800 Series

(continued)

| Tube O.D. | Tube Thickness | | Min. I.D. Tube Tool Enters | | Maximum Expansion of Tool | | ■ Size Sq. on Mandrel | EXPANDER with 1 1/2" (38-10mm) long Rollers | | | Expander with 2 1/4" (57-15mm) long Rollers | | | | |
|-----------|----------------|------|----------------------------|-------|---------------------------|-------|-----------------------|---|-------------|--------------------|---|-------------|--------------------|------|-------|
| | | | | | | | | Complete Tool No. | Mandrel No. | Set of Rollers No. | Complete Tool No. | Mandrel No. | Set of Rollers No. | | |
| ins | mm | g'ge | mm | ins | mm | ins | mm | ins | mm | | | | | | |
| 7/8 | 22.23 | 14 | 2.03 | .685 | 17.40 | .774 | 19.66 | 3/8 | 9.53 | C835 | CM11 | CR14 | C836 | CM11 | CR14A |
| 7/8 | 22.23 | 15 | 1.83 | .712 | 18.08 | .801 | 20.35 | 3/8 | 9.53 | C837 | CM11 | CR15 | C838 | CM11 | CR15A |
| 7/8 | 22.23 | 16 | 1.63 | .726 | 18.44 | .815 | 20.70 | 3/8 | 9.53 | C839 | CM12 | CR15 | C840 | CM12 | CR15A |
| 1 | 25.40 | 8 | 4.06 | .655 | 16.64 | .735 | 18.67 | 3/8 | 9.53 | C841 | CM9 | CR13 | C842 | CM9 | CR13A |
| 1 | 25.40 | 9 | 3.66 | .685 | 17.40 | .774 | 19.66 | 3/8 | 9.53 | C835 | CM11 | CR14 | C836 | CM11 | CR14A |
| 1 | 25.40 | 10 | 3.25 | .712 | 18.08 | .801 | 20.35 | 3/8 | 9.53 | C837 | CM11 | CR15 | C838 | CM11 | CR15A |
| 1 | 25.40 | 11 | 2.95 | .740 | 18.80 | .829 | 21.06 | 3/8 | 9.53 | C843 | CM12 | CR16 | C844 | CM12 | CR16A |
| 1 | 25.40 | 12 | 2.64 | .763 | 19.38 | .852 | 21.64 | 3/8 | 9.53 | C845 | CM12 | CR17 | C846 | CM12 | CR17A |
| 1 | 25.40 | 13 | 2.34 | .791 | 20.10 | .880 | 22.35 | 3/8 | 9.53 | C847 | CM12 | CR18 | C848 | CM12 | CR18A |
| 1 | 25.40 | 14 | 2.03 | .810 | 20.57 | .909 | 23.09 | 3/8 | 9.53 | C849 | CM13 | CR18 | C850 | CM13 | CR18A |
| 1 | 25.40 | 15 | 1.83 | .837 | 21.26 | .936 | 23.77 | 3/8 | 9.53 | C851 | CM13 | CR19 | C852 | CM13 | CR19A |
| 1 | 25.40 | 16 | 1.63 | .837 | 21.26 | .936 | 23.77 | 3/8 | 9.53 | C851 | CM13 | CR19 | C852 | CM13 | CR19A |
| 1 1/8 | 28.58 | 8 | 4.06 | .776 | 19.71 | .875 | 22.23 | 3/8 | 9.53 | C853 | CM13 | CR20 | C854 | CM13 | CR20A |
| 1 1/8 | 28.58 | 9 | 3.66 | .810 | 20.57 | .909 | 23.09 | 3/8 | 9.53 | C849 | CM13 | CR18 | C850 | CM13 | CR18A |
| 1 1/8 | 28.58 | 10 | 3.25 | .837 | 21.26 | .936 | 23.77 | 3/8 | 9.53 | C851 | CM13 | CR19 | C852 | CM13 | CR19A |
| 1 1/8 | 28.58 | 11 | 2.95 | .865 | 21.97 | .964 | 24.49 | 3/8 | 9.53 | C855 | CM13 | CR21 | C856 | CM13 | CR21A |
| 1 1/8 | 28.58 | 12 | 2.64 | .883 | 22.43 | .982 | 24.94 | 1/2 | 12.70 | C857 | CM14 | CR21 | C858 | CM14 | CR21A |
| 1 1/8 | 28.58 | 13 | 2.34 | .916 | 23.27 | 1.015 | 25.78 | 1/2 | 12.70 | C859 | CM14 | CR22 | C860 | CM14 | CR22A |
| 1 1/8 | 28.58 | 14 | 2.03 | .935 | 23.75 | 1.044 | 26.52 | 1/2 | 12.70 | C861 | CM15 | CR23 | C862 | CM15 | CR23A |
| 1 1/8 | 28.58 | 15 | 1.83 | .962 | 24.43 | 1.071 | 27.20 | 1/2 | 12.70 | C863 | CM15 | CR24 | C864 | CM15 | CR24A |
| 1 1/8 | 28.58 | 16 | 1.63 | .962 | 24.43 | 1.071 | 27.20 | 1/2 | 12.70 | C863 | CM15 | CR24 | C864 | CM15 | CR24A |
| 1 1/4 | 31.75 | 8 | 4.06 | .901 | 22.89 | 1.010 | 25.65 | 1/2 | 12.70 | C865 | CM15 | CR25 | C866 | CM15 | CR25A |
| 1 1/4 | 31.75 | 9 | 3.66 | .935 | 23.75 | 1.044 | 26.52 | 1/2 | 12.70 | C861 | CM15 | CR23 | C862 | CM15 | CR23A |
| 1 1/4 | 31.75 | 10 | 3.25 | .962 | 24.43 | 1.071 | 27.20 | 1/2 | 12.70 | C863 | CM15 | CR24 | C864 | CM15 | CR24A |
| 1 1/4 | 31.75 | 11 | 2.95 | .990 | 25.15 | 1.099 | 27.91 | 1/2 | 12.70 | C867 | CM16 | CR26 | C868 | CM16 | CR26A |
| 1 1/4 | 31.75 | 12 | 2.64 | 1.013 | 25.73 | 1.122 | 28.49 | 1/2 | 12.70 | C869 | CM16 | CR27 | C870 | CM16 | CR27A |
| 1 1/4 | 31.75 | 13 | 2.34 | 1.041 | 26.44 | 1.150 | 29.21 | 1/2 | 12.70 | C871 | CM17 | CR28 | C872 | CM17 | CR28A |
| 1 1/4 | 31.75 | 14 | 2.03 | 1.060 | 26.92 | 1.169 | 29.70 | 1/2 | 12.70 | C873 | CM17 | CR29 | C874 | CM17 | CR29A |
| 1 1/4 | 31.75 | 15 | 1.83 | 1.087 | 27.61 | 1.196 | 30.38 | 1/2 | 12.70 | C875 | CM17 | CR30 | C876 | CM17 | CR30A |
| 1 1/4 | 31.75 | 16 | 1.63 | 1.087 | 27.61 | 1.196 | 30.38 | 1/2 | 12.70 | C875 | CM17 | CR30 | C876 | CM17 | CR30A |
| 1 3/8 | 34.93 | 8 | 4.06 | 1.026 | 26.06 | 1.135 | 28.83 | 1/2 | 12.70 | C877 | CM17 | CR31 | C878 | CM17 | CR31A |
| 1 3/8 | 34.93 | 9 | 3.66 | 1.060 | 26.92 | 1.169 | 29.70 | 1/2 | 12.70 | C873 | CM17 | CR29 | C874 | CM17 | CR29A |
| 1 3/8 | 34.93 | 10 | 3.25 | 1.087 | 27.61 | 1.196 | 30.38 | 1/2 | 12.70 | C875 | CM17 | CR30 | C876 | CM17 | CR30A |
| 1 3/8 | 34.93 | 11 | 2.95 | 1.115 | 28.32 | 1.224 | 31.09 | 1/2 | 12.70 | C879 | CM18 | CR30 | C880 | CM18 | CR30A |
| 1 3/8 | 34.93 | 12 | 2.64 | 1.133 | 28.78 | 1.242 | 31.55 | 1/2 | 12.70 | C881 | CM18 | CR32 | C882 | CM18 | CR32A |
| 1 3/8 | 34.93 | 13 | 2.34 | 1.160 | 29.46 | 1.275 | 32.38 | 1/2 | 12.70 | C883 | CM19 | CR33 | C884 | CM19 | CR33A |
| 1 3/8 | 34.93 | 14 | 2.03 | 1.179 | 29.95 | 1.294 | 32.87 | 1/2 | 12.70 | C885 | CM20 | CR34 | C886 | CM20 | CR34A |
| 1 3/8 | 34.93 | 15 | 1.83 | 1.206 | 30.63 | 1.321 | 33.55 | 1/2 | 12.70 | C887 | CM20 | CR35 | C888 | CM20 | CR35A |
| 1 3/8 | 34.93 | 16 | 1.63 | 1.206 | 30.63 | 1.321 | 33.55 | 1/2 | 12.70 | C887 | CM20 | CR35 | C888 | CM20 | CR35A |
| 1 1/2 | 38.10 | 8 | 4.06 | 1.145 | 29.08 | 1.260 | 32.00 | 1/2 | 12.70 | C889 | CM19 | CR34 | C890 | CM19 | CR34A |
| 1 1/2 | 38.10 | 9 | 3.66 | 1.179 | 29.95 | 1.294 | 32.87 | 1/2 | 12.70 | C885 | CM20 | CR34 | C886 | CM20 | CR34A |
| 1 1/2 | 38.10 | 10 | 3.25 | 1.206 | 30.63 | 1.321 | 33.55 | 1/2 | 12.70 | C887 | CM20 | CR35 | C888 | CM20 | CR35A |
| 1 1/2 | 38.10 | 11 | 2.95 | 1.235 | 31.39 | 1.350 | 34.29 | 1/2 | 12.70 | C891 | CM20 | CR36 | C892 | CM20 | CR36A |
| 1 1/2 | 38.10 | 12 | 2.64 | 1.257 | 31.93 | 1.372 | 34.85 | 1/2 | 12.70 | C893 | CM20 | CR37 | C894 | CM20 | CR37A |
| 1 1/2 | 38.10 | 13 | 2.34 | 1.285 | 32.64 | 1.400 | 35.56 | 1/2 | 12.70 | C895 | CM21 | CR37 | C896 | CM21 | CR37A |
| 1 1/2 | 38.10 | 14 | 2.03 | 1.285 | 32.64 | 1.400 | 35.56 | 1/2 | 12.70 | C895 | CM21 | CR37 | C896 | CM21 | CR37A |
| 1 1/2 | 38.10 | 15 | 1.83 | 1.331 | 33.81 | 1.446 | 36.73 | 1/2 | 12.70 | C897 | CM21 | CR38 | C898 | CM21 | CR38A |
| 1 1/2 | 38.10 | 16 | 1.63 | 1.331 | 33.81 | 1.446 | 36.73 | 1/2 | 12.70 | C897 | CM21 | CR38 | C898 | CM21 | CR38A |

NOTE – Mandrels supplied with square shank unless otherwise specially ordered

WICKSTEED ENGINEERING LIMITED

Hove Road, Rushden, Northamptonshire NN10 0JB • Tel: +44 (0)1933 318555 • Fax: +44 (0)1933 410103 • Email: mail@wicksteed.com
www.wicksteed.com